

# KENWOOD

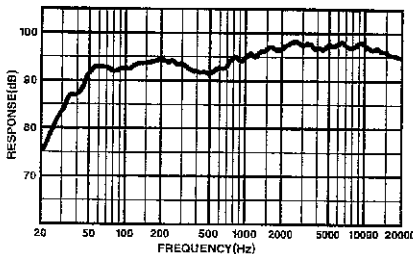
●153×229mm(6×9in.) 4-WAY 4-SPEAKER

 **PEAK  
POWER 250W**

DOOR/REAR DECK SPEAKER  
HAUT-PARLEUR POUR PORTE/PLAGE ARRIERE  
TÜR-/HECK-LAUTSPRECHER  
PORTIER/HOEDENPLANKLUIDSPREKER  
ALTOPARLANTE PER PORTIERA/RIPIANO POSTERIORE  
ALTAVOZ DE PUERTA/BANDEJA POSTERIOR

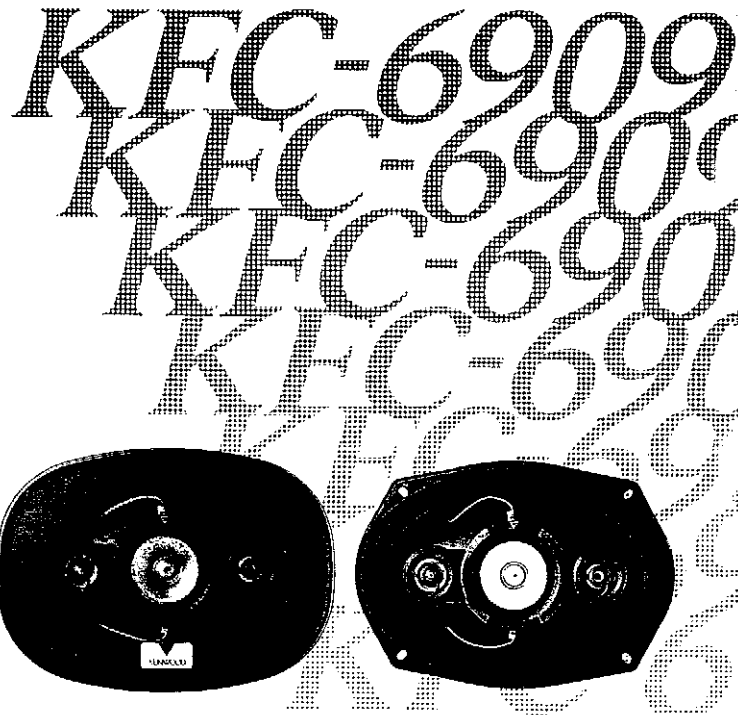
# KFC-6909

FREQUENCY RESPONSE



#### SPECIFICATIONS

Speakers	
Woofer	153×229mm(6×9in.) Pearl Mica Cone Type
Midrange	440g(15.6 oz) Magnet
Midrange	70mm(2-3/4in.) P.E.I. Cone Type
Tweeter	25mm(1in.) P.E.I. Balanced Dome Type
Super-Tweeter	20mm(13/16in.) Balanced Dome Type
Peak Power	250 Watts
Rated Power	65 Watts
Frequency Response	28Hz~30,000Hz
Sensitivity	93 dB/W at 1m
Impedance	4 Ohms
Net Weight With Grille	3,740g(8.2 lb)/Pair



**1Pair**

K W

KFC-6909

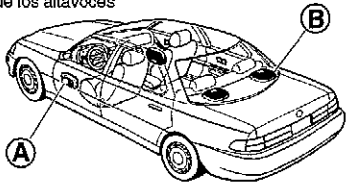


DOOR/REAR DECK SPEAKER  
HAUT-PARLEUR POUR PORTE/PLAGE ARRIERE

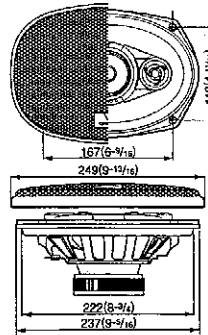
# KFC-6909

INSTALLATION INSTRUCTIONS / PROCEDURES D'INSTALLATION

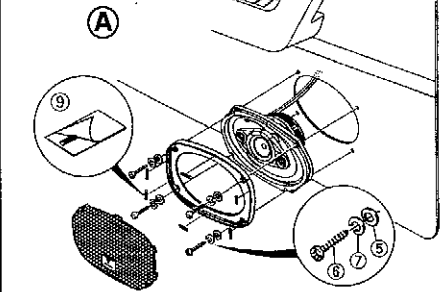
Speaker locations  
Emplacement des haut-parleurs  
Plazierung der Lautsprecher  
Plaatsen van luidsprekers  
Luogo di installazione degli altoparlanti  
Ubicación de los altavoces



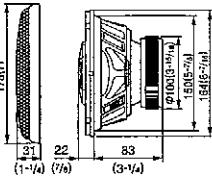
Dimensions  
Abmessungen  
Dimensioni



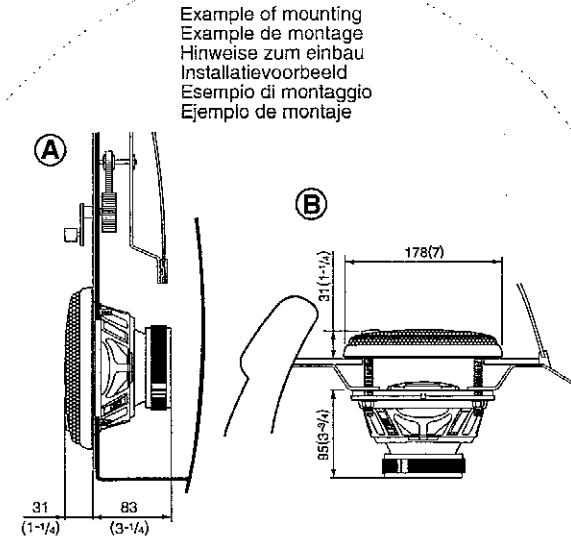
Installation  
Einbau  
Installazione



Dimensions  
Afmetingen  
Dimensiones

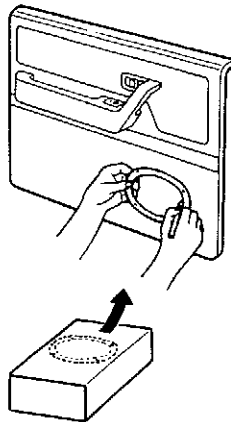


Unit: mm (inch)  
Unité: mm (pouces)



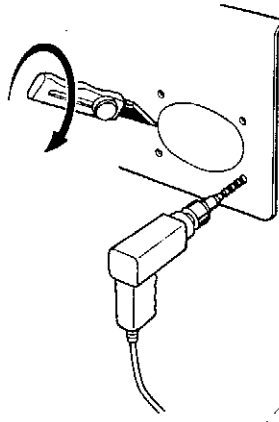
How to use the template  
Gebrauch der schablone  
Uso della macherina

Mark holes  
Reperer les trous  
Die löcher anzeichnen  
Markeer gaten  
Fori di riferiment  
Marque los orificios



Utilisation du gabarit  
Gebruik van het maatplaatje  
Forma de utilizar la plantilla

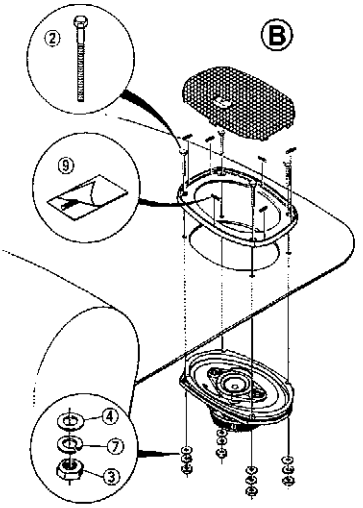
Cut out the holes  
Découper les trous  
Die löcher ausschneiden  
Snij gaten uit  
Forare  
Taladre orificios



Example of mounting  
Exemple de montage  
Hinweise zum einbau  
Installatievoorbeeld  
Esempio di montaggio  
Ejemplo de montaje

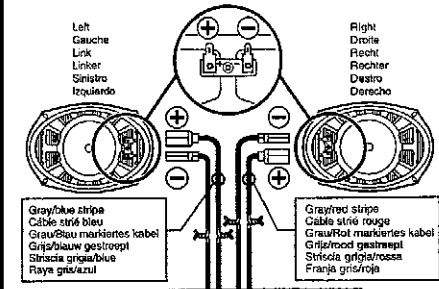
Installation  
Einbau  
Installazione

Installation  
Installatie  
Instalación



Connections  
Anschlüsse  
Collegamenti

Raccordements  
Aansluitingen  
Conexiones



CAR AUDIO COMPONENTS  
ELEMENTS HI-FI POUR VOITURE  
AUTO STEREO-KOMPONENTEN  
COMPONENTI AUDIO PER AUTO  
COMPONENTES DE AUDIO PARA AUTOMÓVILES

Parts included  
Mitgeliefertes zubehör  
Parti incluse

Pieces comprises  
Bijgeleverde onderdelen  
Partes incluidas

- ① ..... X2
- ② M4x70 ..... X8
- ③ M4 ..... X8
- ④ M4 ..... X8
- ⑤ φ4 ..... X8
- ⑥ φ4x40 ..... X8
- ⑦ φ4 ..... X8
- ⑧ 4.5m (15ft) ..... X2
- ⑨ ..... X1

VOLUME 0.0144m³/0.51ft³ WEIGHT/POIDS 4.3kg/9.4lb

KENWOOD CORPORATION  
TOKYO 150-8501 JAPAN

DESIGNED AND ENGINEERED IN JAPAN  
MADE IN MALAYSIA / FABRIQUE EN MALAISIE